

Official Statistics  
Game Ten  
Whitesburg vs. Southern

**30th** *Gatorade*

FARNHAM DUDGEON CROSS CENTER • FRANKFORT, KENTUCKY • MARCH 20-23, 1991

OFFICIAL NCAA BASKETBALL BOX SCORE: \*\*\* FINAL \*\*\*

Date: 03-22-91 Site: Frankfort, Ky.

VISITORS (Last Name, First)

NO.	SOUTHERN	Tot FG		3-POINT		FT	FTA	Rebounds			PF	TP	A	TO	BLK	S	TIME
		FG	FGA	FG	FGA			OFF	DEF	TOT							
34	Carter, Lisa	4	7	0	1	8	14	1	3	4	4	16	2	4	0	0	34:06
55	Bleuel, Alicia	9	14	0	0	5	5	0	10	10	4	23	1	4	0	1	30:54
23	Allen, Sharonda	6	13	0	0	2	7	2	3	5	4	14	5	6	1	2	33:28
12	Burden, Danielle	0	1	0	0	0	0	0	2	2	5	0	3	8	1	2	26:07
22	Schaber, Christy	1	2	0	0	0	2	0	2	2	1	2	0	5	1	1	27:01
05	Rains, April	1	2	0	0	0	0	2	0	2	2	2	0	2	0	1	17:36
35	Smith, Angie	0	2	0	0	2	2	0	1	1	1	2	0	0	1	1	5:48
TEAM REBOUNDS (INCLUDED IN TOTALS)								3	2	5							
TOTALS		21	41	0	1	17	30	8	23	31	21	59	11	30	4	8	175

TOTAL FG 1st HALF 6/13 46.2% 2nd HALF 15/28 53.6% GAME 21/ 41 51.2% DEADBALL  
 3-POINT FG 1st HALF 0/ 0 0.0% 2nd HALF 0/ 1 0.0% GAME 0/ 1 0.0% REBOUNDS 5  
 FREE THROWS 1st HALF 4/ 7 57.1% 2nd HALF 13/23 56.5% GAME 17/ 30 56.7%

HOME (Last Name, First)

NO.	WHITESBURG	Tot FG		3-POINT		FT	FTA	Rebounds			PF	TP	A	TO	BLK	S	TIME
		FG	FGA	FG	FGA			OFF	DEF	TOT							
21	Ison, Tracy	8	18	0	0	9	16	5	9	14	4	25	3	5	1	3	29:52
30	Combs, Alicia	0	7	0	0	1	2	2	1	3	4	1	4	0	0	0	25:47
44	Collins, Jon.	4	8	0	0	0	0	1	2	3	4	8	1	2	0	1	18:14
20	Potter, Carolyn	4	11	1	5	3	6	2	1	3	4	12	2	5	0	5	30:49
40	Swisher, Hilary	2	4	0	0	2	6	3	2	5	3	6	2	4	1	3	33:43
45	Breeding, Denny	4	6	0	0	2	2	3	3	6	3	10	0	3	1	1	16:23
34	Yonts, Jessica	0	1	0	0	0	0	0	0	0	0	0	0	1	0	0	5:08
14	Baker, Amanda	0	3	0	0	0	0	2	2	4	1	0	2	1	0	0	14:41
33	Holland, Barbara	0	0	0	0	0	0	0	0	0	0	0	0	0	0	0	0:23
TEAM REBOUNDS (INCLUDED IN TOTALS)								1	1	1							
TOTALS		22	58	1	5	17	32	18	21	39	23	62	14	21	3	13	175

TOTAL FG 1st HALF 3/ 9 33.3% 2nd HALF 19/49 38.8% GAME 22/ 58 37.9% DEADBALL  
 3-POINT FG 1st HALF 0/ 0 0.0% 2nd HALF 1/ 5 20.0% GAME 1/ 5 20.0% REBOUNDS 9  
 FREE THROWS 1st HALF 8/12 66.7% 2nd HALF 9/20 45.0% GAME 17/ 32 53.1%

OFFICIALS: Linda Howard, Donald Gilmore, J. Asher-Alt.  
 Technicals: None

SCORE BY PERIODS

SOUTHERN	16	13	15	13	2	=	59
WHITESBURG	14	15	8	20	5	=	62

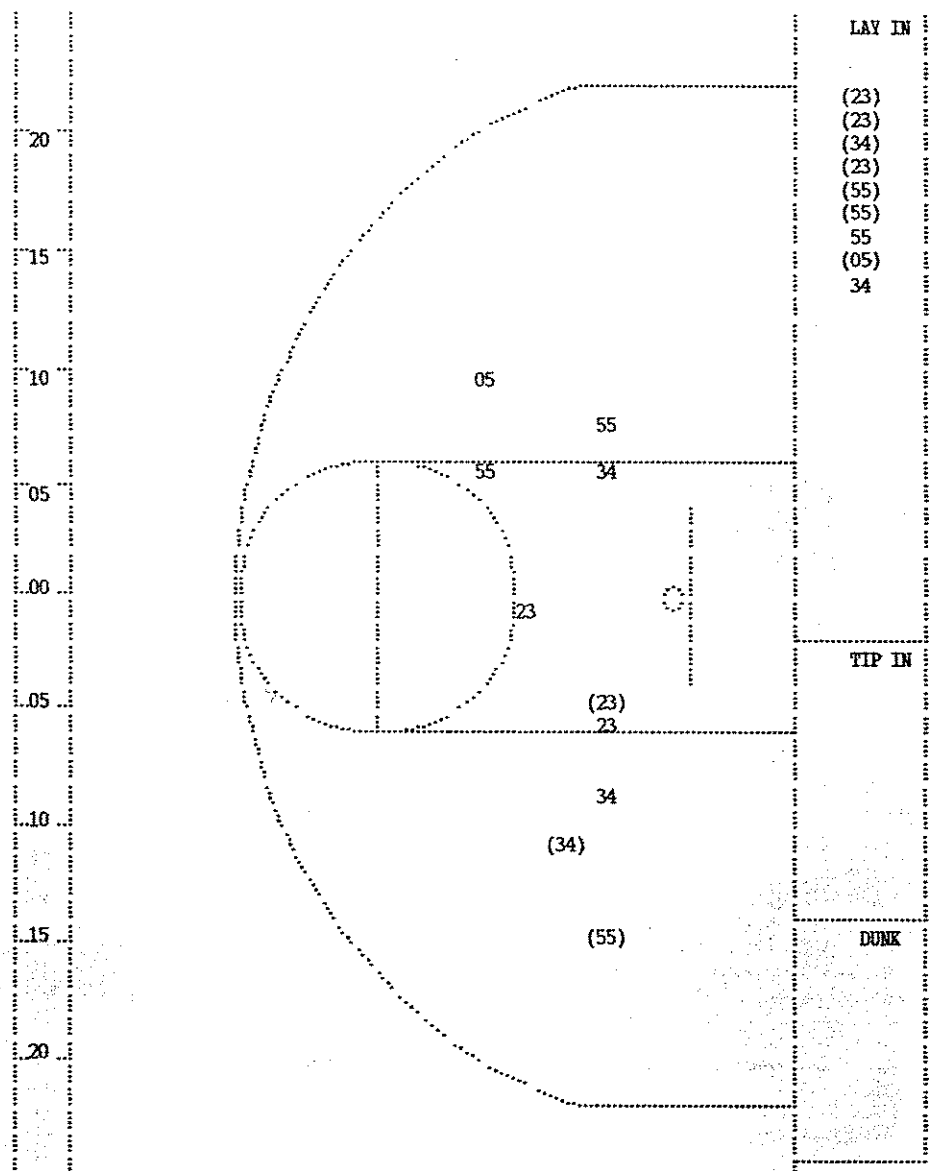
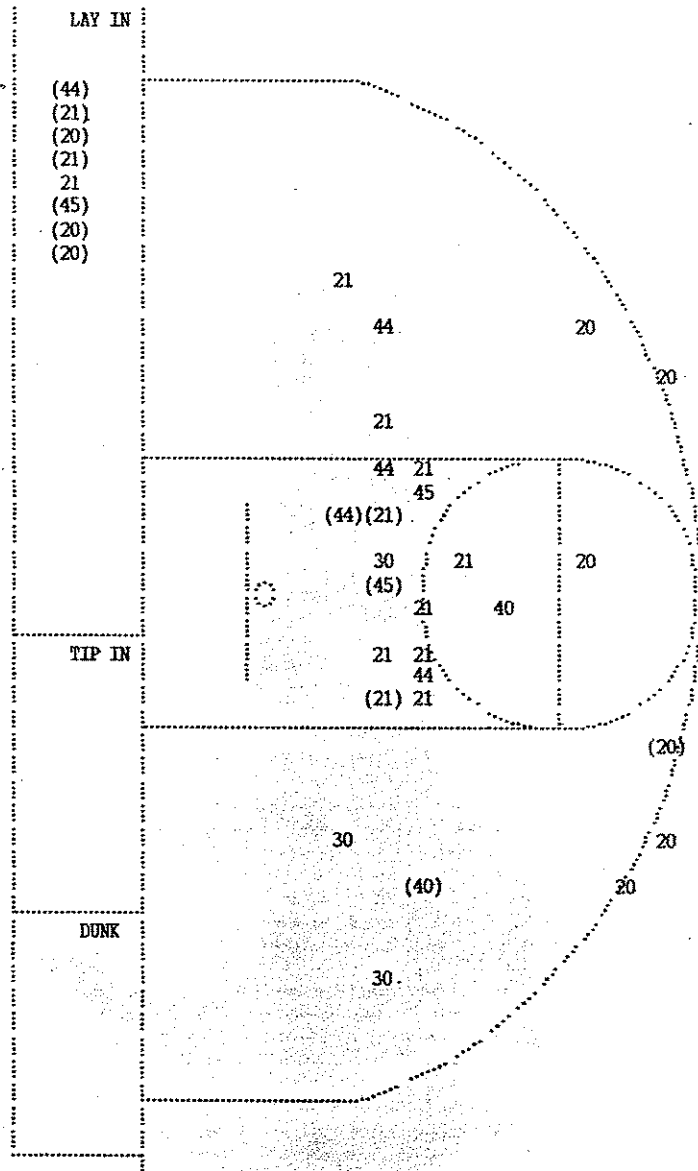
Attendance: 3,650

COMMENTS: POINTS OFF TURNOVERS  
 SOUTHERN 17 WHITESBURG

25 SOUTHERN

SECOND CHANCE POINTS  
 7 WHITESBURG

6



WHITESBURG					
Player		Player		Player	
21 - Ison, Trac	4/13 30.7%	45 - Breeding,	2/3 66.6%		
30 - Combs, Ali	0/3 0.0%				
44 - Collins, J	2/5 40.0%				
20 - Potter, Ca	4/9 44.4%				
40 - Swisher, #	1/2 50.0%				
Layups	1-9 Ft	10-15 Ft	Over 15 Ft	3 Pointers	Total
7 / 8	4 / 15	1 / 5	0 / 2	1 / 5	13 / 35
87.5%	26.7%	20.0%	0.0%	20.0%	37.1%

SOUTHERN					
Player		Player		Player	
34 - Carter, Li	2/5 40.0%				
55 - Bleuel, Al	3/6 50.0%				
23 - Allen, Sha	4/6 66.6%				
05 - Rains, Apr	1/2 50.0%				
Layups	1-9 Ft	10-15 Ft	Over 15 Ft	3 Pointers	Total
7 / 9	1 / 6	2 / 4			10 / 19
77.8%	16.7%	50.0%			52.6%

Player	Team	WHITESBURG	Time	Score	SOUTHERN	Player	Team
Baker, Amanda, Potter, Carolyn, Ison, Tracy, Swisher, Hilary, Breeding, Denny					Burden, Danielle, Schaber, Christy, Allen, Sharonda, Carter, Lisa, Bleuel, Alicia		
			5	2:51	Ball to Lady Trojans		
			5	2:50	8 ft Right Side Jump shot by Carter, Lisa, missed	0-1	00.0% 0-1 00.0%
D-1 Tot-1 D-1 Tot-1		Rebound by Ison, Tracy	5	2:37			
0-1 00.0% 0-1 00.0%		7 ft Lane Jump shot by Ison, Tracy, missed	5	2:34			
0-1 Tot-1 0-1 Tot-2		Rebound by Breeding, Denny	5	2:34			
0-1 00.0% 0-2 00.0%		8 ft Lane Follow by Breeding, Denny, missed	5	2:31			
0-1 Tot-1 0-2 Tot-3		Rebound by Baker, Amanda	5	2:17			
1 1		Traveling Violation on Ison, Tracy	5	2:16			
1 1		Steal by Potter, Carolyn	5	2:07	Dribbling Error on Burden, Danielle	1	1
1-1 100% 1-3 33.3%		Fast Break Layup by Potter, Carolyn, made	5	2:04 *59-57			
			5	1:41	Over and Back Violation on Schaber, Christy	1	2
			5	1:40			
		REB: 3 A: 0 BLK: 0 TO: 1 PF: 0			REB: 0 A: 0 BLK: 0 TO: 2 PF: 0		
S: 1 FT: 0-0 00.0% FG: 1-3 33.3%		T I M E - O U T		SOUTHERN No. 1	S: 0 FT: 0-0 00.0% FG: 0-1 00.0%		
			5	1:17	Foul on Burden, Danielle	1	1
		Sub In: Combs, Alicia Out: Baker, Amanda	5	1:17			
1-2 50.0% 1-2 50.0%		Ison, Tracy, 2 Free Throws missed 1st made 2nd	5	1:17 *60-57			
			5	1:05	4 ft Lane Jump shot by Allen, Sharonda, missed	0-1	00.0% 0-2 00.0%
1 1		Block by Ison, Tracy	5	1:03			
D-2 Tot-2 D-2 Tot-4		Rebound by Ison, Tracy	5	1:01			
			5	:30.9	Foul on Burden, Danielle	2	2
			5	:30.9	Sub In: Rains, April Out: Burden, Danielle		
1-2 50.0% 2-4 50.0%		Combs, Alicia, 2 Free Throws missed 1st made 2nd	5	:30.9 *61-57			
			5	:20.6 61-59*	Driving Layup by Rains, April, made	1-1	100% 1-3 33.3%
			5	:09.2	Foul on Allen, Sharonda	1	3
2-4 50.0% 3-6 50.0%		Ison, Tracy, 2 Free Throws missed 1st made 2nd	5	:08.6 *62-59			
			5	:08.6	Other Bleuel, Alicia	1	3
			5	:07.9			
		REB: 4 A: 0 BLK: 1 TO: 1 PF: 0			REB: 0 A: 0 BLK: 0 TO: 3 PF: 3		
S: 1 FT: 3-6 50.0% FG: 1-3 33.3%		T I M E - O U T		SOUTHERN No. 2	S: 0 FT: 0-0 00.0% FG: 1-3 33.3%		
			5	:02.0	3 pt Shot by Carter, Lisa, missed	0-2	00.0% 1-4 25.0%
D-1 Tot-1 D-3 Tot-5		Rebound by Swisher, Hilary	5	:02.2			

Player				Team	WHITESBURG	Time	Score	SOUTHERN	Player				Team		
1-5	20.0%	3-11	27.2%		Fast Break Layup by Ison, Tracy, missed	4 2:17									
						4 2:16		Rebound by TEAM				D-3	Tot-3	D-5	Tot-5
						4 2:03	46-56*	Fast Break Layup by Bleucl, Alicia, made				2-2	100%	3-3	100%
								Assist by Carter, Lisa				1			2
1-1	100%	4-12	33.3%		4 ft Lane Turnaround by Breeding, Denny, made	4 1:46	*48-56								
					Assist by Potter, Carolyn										
					Foul on Swisher, Hilary	4 1:33									
					REB: 5 A: 4 BLK: 0 TO: 3 PF: 5	4 1:32									
					S: 4 FT: 3-6 50.0% FG: 4-12 33.3%			No. 1 WHITESBURG TIME - O U T							
								REB: 5 A: 2 BLK: 0 TO: 8 PF: 5							
								S: 2 FT: 6-7 85.7% FG: 3-3 100%							
D-1	Tot-3	D-2	Tot-6		Rebound by Ison, Tracy	4 1:32	48-57*	Carter, Lisa, 2 Free Throws made 1st missed 2nd				2-4	50.0%	7-9	77.7%
2-2	100%	5-13	38.4%		Fast Break Layup by Breeding, Denny, made	4 1:31									
					Assist by Combs, Alicia	4 1:24	*50-57								
					REB: 6 A: 5 BLK: 0 TO: 3 PF: 5	4 1:23									
					S: 4 FT: 3-6 50.0% FG: 5-13 38.4%			No. 2 WHITESBURG TIME - O U T							
								REB: 5 A: 2 BLK: 0 TO: 8 PF: 5							
								S: 2 FT: 7-9 77.7% FG: 3-3 100%							
2-6	33.3%	6-14	42.8%		6 ft Lane Jump shot by Ison, Tracy, made	4 1:14		Bad Pass by Burden, Danielle				4			9
						4 1:03	*52-57								
					REB: 6 A: 5 BLK: 0 TO: 3 PF: 5	4 :59.3									
					S: 4 FT: 3-6 50.0% FG: 6-14 42.8%			No. 3 WHITESBURG TIME - O U T							
					Sub In: Baker, Amanda Out: Potter, Carolyn	4 :59.3									
						4 :50.7		Fast Break Layup by Bleucl, Alicia, missed				2-3	66.6%	3-4	75.0%
					Block by Swisher, Hilary	4 :50.7									
						4 :50.7		Rebound by TEAM				0-1	Tot-2	0-0	Tot-5
					Sub In: Potter, Carolyn Out: Baker, Amanda	4 :50.7									
					Foul on Potter, Carolyn	4 :47.2									
						4 :47.2		Carter, Lisa, 2 Free Throws missed both				2-6	33.3%	7-11	63.6%
D-2	Tot-4	D-3	Tot-7		Rebound by Ison, Tracy	4 :45.8									
2-4	50.0%	7-15	46.6%		Fast Break Layup by Potter, Carolyn, made	4 :39.4	*54-57								
						4 :26.5		Traveling Violation on Bleucl, Alicia				1			10
2-5	40.0%	7-16	43.7%		3 pt 20 ft Left Angle Jump shot by Potter, Carolyn, missed	4 :17.2									
0-1	Tot-1	0-5	Tot-8		Rebound by Potter, Carolyn	4 :15.2									
2-6	33.3%	7-17	41.1%		3 pt 14 ft Lane Jump shot by Potter, Carolyn, missed	4 :12.9									
						4 :11.6		Block by Burden, Danielle				1			1
						4 :11.6		Rebound by Allen, Sharonda				D-1	Tot-1	D-6	Tot-6
					Foul on Breeding, Denny	4 :11.6									
					Sub In: Baker, Amanda Out: Combs, Alicia	4 :11.6									
						4 :11.6		Allen, Sharonda, 2 Free Throws missed both				0-2	00.0%	7-13	53.8%
						4 :10.4									
D-1	Tot-1	D-4	Tot-9		Rebound by Breeding, Denny										
3-7	42.8%	8-18	44.4%		3 pt 19 ft Left Angle Jump shot by Potter, Carolyn, made	4 :04.9	*57-57								
					Assist by Swisher, Hilary										

Player	Team	WHITESBURG	Time	Score	SOUTHERN	Player	Team
Potter, Carolyn	1	Combs, Alicia	4 7:51	37-46*	Burden, Danielle, Schaber, Christy, Allen, Sharonda, Carter, Lisa, Bleuel, Alicia	1-1	100%
		Swisher, Hilary, Collins, Jon., Ison, Tracy			Ball to Lady Trojans	1-1	100%
1	1	Foul on Ison, Tracy	4 7:51		Driving Layup by Bleuel, Alicia	1	100%
			4 7:50	37-47*	Assist by Allen, Sharonda	1	100%
1	1	Bad Pass by Potter, Carolyn	4 7:23		Bleuel, Alicia, 1 Free Throw made	1-1	100%
1	1	Steal by Swisher, Hilary	4 7:12		Steal by Allen, Sharonda	1	100%
-1	100%	1-1 100%	4 7:09		Dribbling Error on Burden, Danielle	1	100%
1	1	Fast Break Layup by Potter, Carolyn	4 7:07	*39-47			
1	1	Assist by Ison, Tracy	4 6:54				
1	2	Foul on Combs, Alicia	4 6:54	39-48*	Carter, Lisa, 2 Free Throws made 1st missed 2nd	1-2	50.0%
-1	100%	2-2 100%	4 6:47		Foul on Bleuel, Alicia	1	66.6%
1	2	Driving Layup by Ison, Tracy	4 6:39	*41-48			
1	2	Assist by Combs, Alicia	4 6:27				
1	2	Steal by Ison, Tracy	4 6:26		Bad Pass by Burden, Danielle	2	2
1	2	Traveling Violation on Swisher, Hilary	4 6:22				
		REB: 1 A: 2 BLK: 0 TO: 2 PF: 2	4 6:22		REB: 0 A: 1 BLK: 0 TO: 2 PF: 1		
		S: 2 FT: 0-0 00.0% FG: 2-2 100%	T I M E - O U T	SOUTHERN No. 1	S: 1 FT: 2-3 66.6% FG: 1-1 100%		
-2	50.0%	1-2 50.0%	4 6:06	41-50*	4 ft Lane Jump shot by Allen, Sharonda	1-1	100%
1	3	Ison, Tracy, 2 Free Throws missed 1st made 2nd	4 5:45		Foul on Allen, Sharonda	1	2
1	3	Steal by Potter, Carolyn	4 5:45	*42-50			
1	3	Foul on Collins, Jon.	4 5:29		Bad Pass by Schaber, Christy	1	3
2	3	Bad Pass by Swisher, Hilary	4 5:03				
-1	100%	3-7 42.8%	4 5:03	42-52*	Bleuel, Alicia, 2 Free Throws made both	3-3	100%
1	3	13 ft Left Side Jump shot by Swisher, Hilary	4 4:55		Steal by Burden, Danielle	1	80.0%
		Assist by Collins, Jon.	4 4:54				
-4	50.0%	2-4 50.0%	4 4:48		Bad Pass by Burden, Danielle	3	4
			4 3:58		Foul on Carter, Lisa	1	3
			4 3:58		Player Control Foul Carter, Lisa	1	5
			4 3:45	*44-52			
			4 3:35		Traveling Violation on Carter, Lisa	2	6
			4 3:31		Foul on Allen, Sharonda	2	4
			4 3:31	*45-52			
			4 3:29		Foul on Bleuel, Alicia	2	5
		REB: 4 A: 3 BLK: 0 TO: 3 PF: 3	4 3:29		REB: 2 A: 1 BLK: 0 TO: 6 PF: 5		
		S: 3 FT: 2-4 50.0% FG: 3-7 42.8%	T I M E - O U T	SOUTHERN No. 2	S: 2 FT: 4-5 80.0% FG: 2-2 100%		
-2	50.0%	3-6 50.0%	4 3:29	*46-52			
1	4	Swisher, Hilary, 2 Free Throws made 1st missed 2nd	4 3:16		10 Second Backcourt Violation on TEAM	3	7
		Foul on Potter, Carolyn	4 3:01				
-4	25.0%	3-9 33.3%	4 3:01	46-54*	Bleuel, Alicia, 2 Free Throws made both	5-5	100%
-1	Tot-2	0-4 Tot-5	4 2:45				
-1	00.0%	3-10 30.0%	4 2:43		Rebound by Bleuel, Alicia	D-2	Tot-2
		6 ft Lane Jump shot by Collins, Jon., missed	4 2:43			D-5	Tot-5
		Sub In: Breeding, Denny Out: Collins, Jon.	4 2:41				
2	4	Steal by Ison, Tracy	4 2:31				
			4 2:31		Bad Pass by Schaber, Christy	2	8
			4 2:20				

Player	Team	WHITESBURG	Time	Score	SOUTHERN	Player	Team
		Ison, Tracy, Combs, Alicia, Collins, Jon., Potter, Carolyn, Swisher, Hilary					Rains, April, Burden, Danielle, Allen, Sharonda, Carter, Lisa, Bleuel, Alicia
Ball to Lady Jackets							
1	1	Foul on Collins, Jon.	3 7:17	29-31*	Follow Layup by Allen, Sharonda	1-1	100% 1-2 50.0%
		Sub In: Baker, Amanda Out: Combs, Alicia	3 7:17				
2	2	Foul on Collins, Jon.	3 7:17	29-32*	Allen, Sharonda, 1 Free Throw made	1-1	100% 1-1 100%
		Sub In: Breeding, Denny Out: Collins, Jon.	3 6:42				
1	3	Foul on Ison, Tracy	3 6:42	29-34*	Carter, Lisa, 2 Free Throws made both	2-2	100% 3-3 100%
			3 6:22				
			3 6:14	Traveling Violation on Allen, Sharonda			
		REB: 1 A: 0 BLK: 0 TO: 0 PF: 3	3 6:09			REB: 4 A: 0 BLK: 0 TO: 1 PF: 0	
		S: 0 FT: 0-0 00.0% FG: 0-4 00.0%	No. 1 WHITESBURG	T I M E - O U T		S: 0 FT: 3-3 100% FG: 1-2 50.0%	
1	4	Foul on Potter, Carolyn	3 5:16				
1	1	Traveling Violation on Breeding, Denny	3 5:16	Foul on Carter, Lisa			
		Sub In: Combs, Alicia Out: Baker, Amanda	3 5:05				
			3 5:05				
			3 5:05	29-36*	Layup Alley Oop by Allen, Sharonda	2-2	100% 2-4 50.0%
					Assist by Burden, Danielle	1	1
			3 4:12	29-38*	11 ft Right Side Jump shot by Carter, Lisa	1-1	100% 3-5 60.0%
					Assist by Burden, Danielle	2	2
1-5	20.0%	1-8 12.5%	3 3:58	*31-38			
2	2	Out-of-Bounds by Breeding, Denny	3 3:26				
		Sub In: Collins, Jon. Out: Breeding, Denny	3 3:25				
			3 3:25	Sub In: Smith, Angie Out: Allen, Sharonda			
1-2	50.0%	2-9 22.2%	3 2:48	*33-38			
1	1	Driving Layup by Collins, Jon.					
		Assist by Ison, Tracy					
1	3	Bad Pass by Collins, Jon.	3 2:24				
			3 2:23	Steal by Rains, April			
			3 2:21	Steal by Burden, Danielle			
1	4	Bad Pass by Potter, Carolyn	3 2:20				
1	5	Traveling Violation on Ison, Tracy	3 2:16	33-40*	Driving Layup by Carter, Lisa	2-3	66.6% 4-8 50.0%
		Sub In: Baker, Amanda Out: Potter, Carolyn	3 1:53				
			3 1:53	Sub In: Allen, Sharonda Out: Smith, Angie			
			3 1:53	Sub In: Schaber, Christy Out: Rains, April			
1	1	Steal by Collins, Jon.	3 1:53				
			3 1:41	Bad Pass by Burden, Danielle			
2-6	33.3%	3-11 27.2%	3 1:35	*35-40			
1	2	Fast Break Layup by Ison, Tracy					
		Assist by Swisher, Hilary					
			3 1:15	35-42*	Driving Layup by Allen, Sharonda	3-3	100% 5-9 55.5%
					Assist by Bleuel, Alicia	1	3
1	5	Foul on Baker, Amanda	3 1:14				
			3 1:14	Allen, Sharonda, 1 Free Throw missed			
2	6	Foul on Ison, Tracy	3 :51.1				
			3 :48.9	35-44*	14 ft Right Side Jump shot by Bleuel, Alicia	1-3	33.3% 6-10 60.0%
					Assist by Allen, Sharonda	1	4
2-4	50.0%	4-13 30.7%	3 :28.7	*37-44			
0-2	00.0%	4-14 28.5%	3 :00.2	10 ft Left Side Jump shot by Combs, Alicia, missed			

OFFICIAL NCAA BASKETBALL BOX SCORE: \* OFFICIAL FIRST HALF \*

Date: 03-22-91 Site: Frankfort, Ky.

VISITORS (Last Name, First)

NO.	SOUTHERN	Tot FG		3-POINT		FT	FTA	Rebounds			PF	TP	A	TO	BLK	S	TIME
		FG	FGA	FG	FGA			OFF	DEF	TOT							
34	Carter, Lisa	2	2	0	0	4	6	1	1	2	2	8	1	2	0	0	15:06
55	Bleuel, Alicia	6	8	0	0	0	0	0	4	4	2	12	0	2	0	1	11:54
23	Allen, Sharonda	2	7	0	0	1	3	1	1	2	1	5	3	5	1	1	16:00
12	Burden, Danielle	0	1	0	0	0	0	0	1	1	3	0	1	2	0	0	7:37
22	Schaber, Christy	1	2	0	0	0	2	0	1	1	1	2	0	2	1	1	14:08
05	Rains, April	0	0	0	0	0	0	2	0	2	2	0	0	2	0	0	10:59
35	Smith, Angie	0	2	0	0	2	2	0	1	1	1	2	0	0	1	1	4:16
TEAM REBOUNDS (INCLUDED IN TOTALS)								2	1	3							
TOTALS		11	22	0	0	7	13	6	10	16	12	29	5	15	3	4	80

TOTAL FG 1st HALF 6/13 46.2% 2nd HALF 5/9 55.6% GAME 11/22 50.0% DEADBALL  
 3-POINT FG 1st HALF 0/0 0.0% 2nd HALF 0/0 0.0% GAME 0/0 0.0% REBOUNDS 2  
 FREE THROWS 1st HALF 4/7 57.1% 2nd HALF 3/6 50.0% GAME 7/13 53.8%

HOME (Last Name, First)

NO.	WHITESBURG	Tot FG		3-POINT		FT	FTA	Rebounds			PF	TP	A	TO	BLK	S	TIME
		FG	FGA	FG	FGA			OFF	DEF	TOT							
21	Ison, Tracy	4	5	0	0	5	8	0	3	3	1	13	1	3	0	1	10:52
30	Combs, Alicia	0	4	0	0	0	0	2	1	3	3	0	2	0	0	0	10:53
44	Collins, Jon.	2	3	0	0	0	0	0	0	0	1	4	0	1	0	0	8:02
20	Potter, Carolyn	0	2	0	0	3	6	1	1	2	1	3	1	3	0	3	13:51
40	Swisher, Hilary	1	2	0	0	1	4	2	1	3	2	3	0	2	0	2	14:43
45	Breeding, Denny	2	3	0	0	2	2	2	0	2	2	6	0	1	1	1	7:35
34	Yonts, Jessica	0	1	0	0	0	0	0	0	0	0	0	0	1	0	0	5:08
14	Baker, Amanda	0	3	0	0	0	0	1	2	3	0	0	2	1	0	0	8:33
33	Holland, Barbara	0	0	0	0	0	0	0	0	0	0	0	0	0	0	0	0:23
TEAM REBOUNDS (INCLUDED IN TOTALS)								1	1	2							
TOTALS		9	23	0	0	11	20	8	9	17	10	29	6	12	1	7	80

TOTAL FG 1st HALF 3/9 33.3% 2nd HALF 6/14 42.9% GAME 9/23 39.1% DEADBALL  
 3-POINT FG 1st HALF 0/0 0.0% 2nd HALF 0/0 0.0% GAME 0/0 0.0% REBOUNDS 5  
 FREE THROWS 1st HALF 8/12 66.7% 2nd HALF 3/8 37.5% GAME 11/20 55.0%

OFFICIALS: Linda Howard, Donald Gilmore, J. Asher-Alt.  
 Technicals: None

SCORE BY PERIODS  
 SOUTHERN 16 13 = 29  
 WHITESBURG 14 15 = 29

Attendance: 3,650

COMMENTS: POINTS OFF TURNOVERS  
 SOUTHERN 11 WHITESBURG

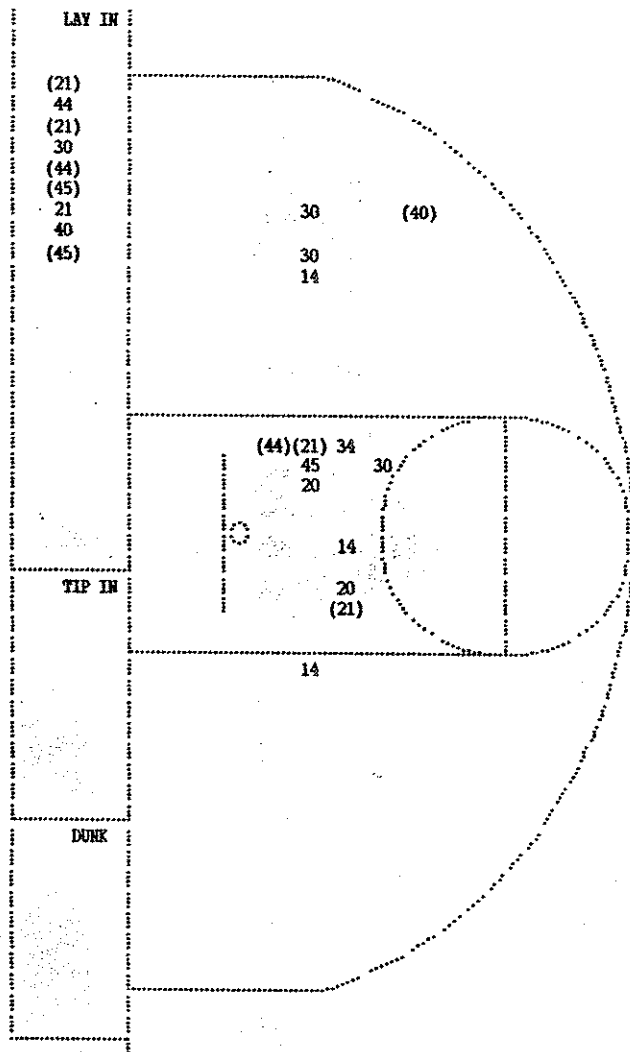
SECOND CHANCE POINTS  
 11 SOUTHERN 4 WHITESBURG



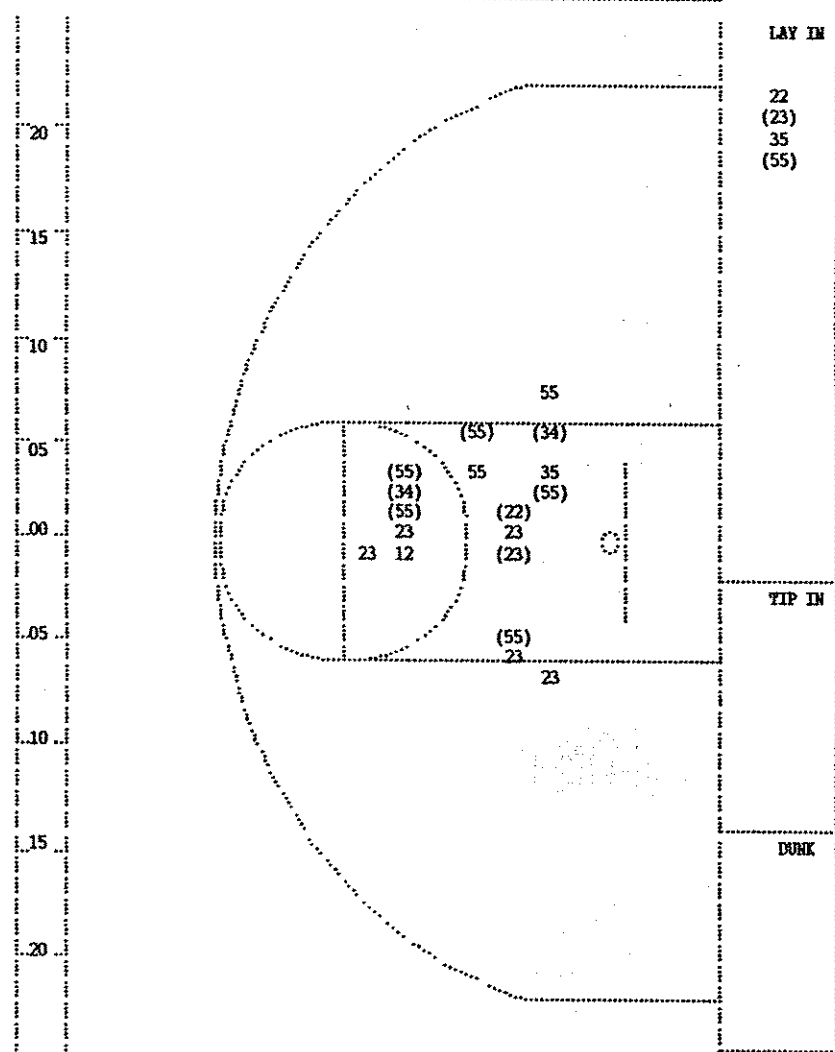
Player	Team	WHITESBURG	Time	Score	SOUTHERN	Player	Team
Ison, Tracy, Combs, Alicia, Collins, Jon., Potter, Carolyn, Swisher, Hilary							
1-1	100%	1-1	100%	4 ft Lane Jump shot by Ison, Tracy	2 7:50	Smith, Angie, Schaber, Christy, Allen, Sharonda, Carter, Lisa, Bleuel, Alicia	
					2 7:50 *16-16	Ball to Lady Trojans	
					2 7:34	Sub In: Rains, April Out: Smith, Angie	
					2 7:16	Out-of-Bounds by Schaber, Christy	1 1
					2 7:15	Steal by Bleuel, Alicia	1 1
					2 7:08		
					2 7:06	Dribbling Error on Rains, April	1 2
					2 7:00 *18-16		
1-1	100%	2-2	100%	Fast Break Layup by Collins, Jon.	2 6:43		
				Assist by Ison, Tracy	2 6:43 18-18*	Carter, Lisa, 2 Free Throws made both	2-2 100% 2-2 100%
				Foul on Combs, Alicia	2 6:23		
					2 6:09 18-20*	4 ft Lane Jump shot by Allen, Sharonda	1-1 100% 1-2 50.0%
				Unforced Error Collins, Jon.	2 6:05		
					2 5:54		
				Sub In: Yonts, Jessica Out: Ison, Tracy	2 5:39		
				Traveling Violation on Potter, Carolyn	2 5:39	18-22* 4 ft Lane Jump shot by Schaber, Christy	1-1 100% 2-3 66.6%
				Sub In: Ison, Tracy Out: Potter, Carolyn	2 5:39	Assist by Allen, Sharonda	1 1
				Sub In: Baker, Amanda Out: Yonts, Jessica	2 5:25		
					2 5:25 18-23*	Carter, Lisa, 2 Free Throws made 1st missed 2nd	3-4 75.0% 3-4 75.0%
				Foul on Ison, Tracy	2 5:22		
					2 5:19	Traveling Violation on Allen, Sharonda	1 3
				Traveling Violation on Swisher, Hilary	2 5:18 *20-23		
2-2	100%	3-5	60.0%	4 ft Lane Jump shot by Collins, Jon.	2 4:49 20-25*	Fast Break Layup by Bleuel, Alicia	1-2 50.0% 3-4 75.0%
				Assist by Baker, Amanda	2 4:20 *22-25	Assist by Allen, Sharonda	2 2
					2 3:46	Steal by Allen, Sharonda	1 2
2-2	100%	4-6	66.6%	4 ft Lane Bank by Ison, Tracy	2 3:45		
				Assist by Combs, Alicia	2 3:30		
					2 3:30	Schaber, Christy, 2 Free Throws missed both	0-2 00.0% 3-6 50.0%
					2 3:30		
				Bad Pass by Baker, Amanda	2 3:15		
				Foul on Combs, Alicia	2 3:15 *23-25	Foul on Carter, Lisa	1 1
					2 3:15		
				Sub In: Potter, Carolyn Out: Collins, Jon.	2 3:14	Foul on Schaber, Christy	1 2
				Sub In: Breeding, Denny Out: Baker, Amanda	2 3:14		
1-2	50.0%	1-2	50.0%	Ison, Tracy, 2 Free Throws made 1st missed 2nd	2 3:08 23-27*	4 ft Lane Jump shot by Bleuel, Alicia	2-3 66.6% 4-6 66.6%
				Sub In: Baker, Amanda Out: Combs, Alicia	2 2:36	Assist by Allen, Sharonda	3 3
					2 2:36	Foul on Allen, Sharonda	1 3
					2 2:36	Other Allen, Sharonda	2 4
					2 2:36	Sub In: Smith, Angie Out: Bleuel, Alicia	
					2 2:36 *24-27		
1-4	25.0%	2-6	33.3%	Potter, Carolyn, 2 Free Throws missed 1st made 2nd	2 2:26	Foul on Smith, Angie	1 4
					2 2:26 *25-27		
2-4	50.0%	3-8	37.5%	Ison, Tracy, 2 Free Throws made 1st missed 2nd	2 1:54 25-29*	10 ft Lane Jump shot by Carter, Lisa	1-1 100% 5-8 62.5%
					2 1:37 *27-29		
1-1	100%	5-8	62.5%	Driving Layup by Breeding, Denny	2 1:11		
				Assist by Baker, Amanda	2 1:11	Bad Pass by Allen, Sharonda	3 5
				Steal by Ison, Tracy	2 1:02		
					2 1:01		
				Out-of-Bounds by Potter, Carolyn	2 1:01	Traveling Violation on Schaber, Christy	2 6
				Steal by Potter, Carolyn	2 1:00		
					2 1:00		
				Sub In: Yonts, Jessica Out: Ison, Tracy	2 :48.9	Traveling Violation on Allen, Sharonda	4 7
				Steal by Potter, Carolyn	2 :29.4		
				Steal by Breeding, Denny	2 :15.2	Dribbling Error on Rains, April	2 8
2-2	100%	6-14	42.8%	Jump shot Layup by Breeding, Denny	2 :09.4 *29-29		



FIRST HALF SHOT CHART Produced by the University of Kentucky Stat Crew with FINAL III - a Product of LEXICON SPORTS™



WHITESBURG					
Player		Player		Player	
21 - Ison, Trac	4/5	80.0%	14 - Baker, Ama	0/3	0.0%
30 - Combs, Ali	0/4	0.0%	34 - Yonts, Jes	0/1	0.0%
44 - Collins, J	2/3	66.6%	45 - Breeding, B	2/3	66.6%
20 - Potter, Ca	0/2	0.0%			
40 - Switzer, R	1/2	50.0%			
Layups	1-9 Ft	10-15 Ft	Over 15 Ft	3 Pointers	Total
5/9	3/10	0/2	1/2		9/23
55.6%	30.0%	0.0%	50.0%		39.1%



SOUTHERN					
Player		Player		Player	
34 - Carter, Li	2/2	100.0%	35 - Smith, Ang	0/2	0.0%
55 - Bleuel, Al	6/8	75.0%			
23 - Allen, Sha	2/7	28.5%			
12 - Burden, Dan	0/1	0.0%			
22 - Schaber, Ch	1/2	50.0%			
Layups	1-9 Ft	10-15 Ft	Over 15 Ft	3 Pointers	Total
2/4	6/12	3/6			11/22
50.0%	50.0%	50.0%			50.0%